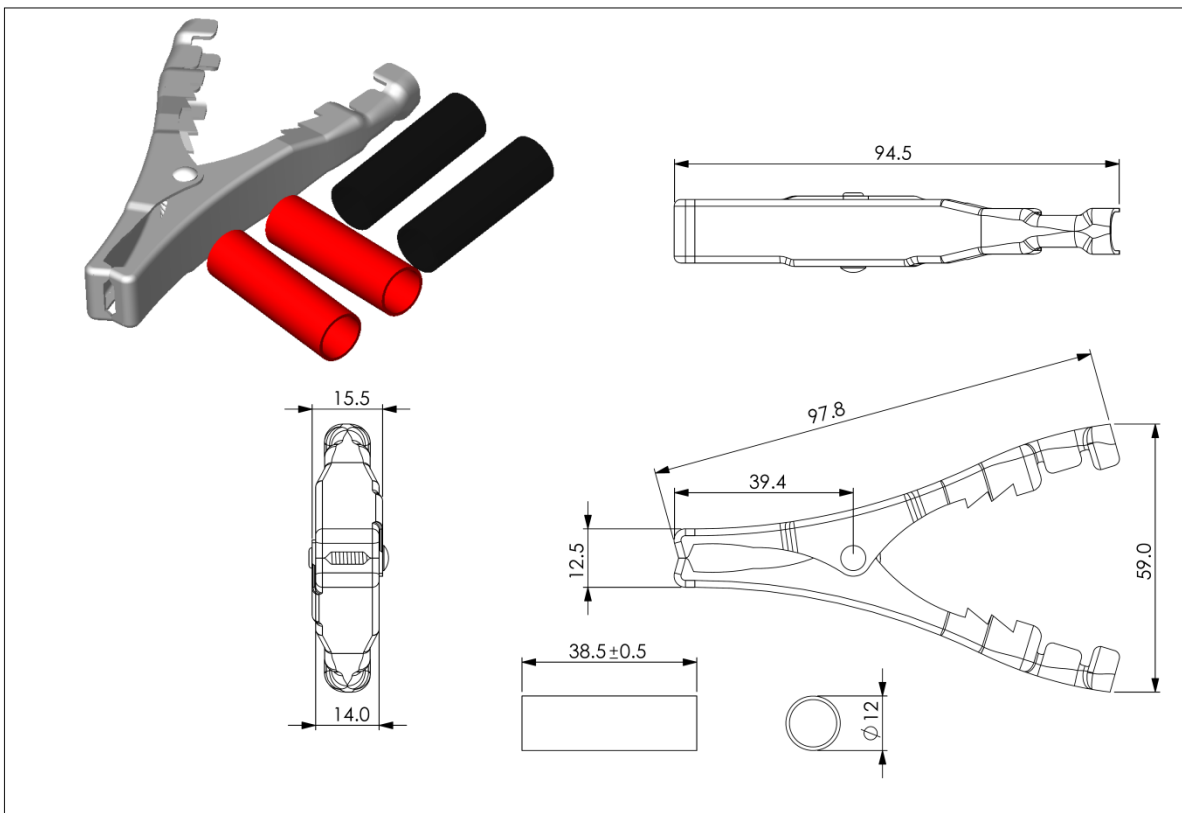


YE-2043 50A BATTERY CLIP



MATERIALS :

1. MAIN BODY :
STEEL NICKEL PTD.
2. SHELL COVER :
PVC
3. SPRING:
STEEL NICKEL PLATED

俞昌有限公司 YEU TSANG CO. LTD.	品名: ITEM:	50A BATTERY CLIP		一般公差 .X +/-0.25 .XX +/-0.10	SHEET:	單位: unit: mm	日期: date: '07/01/23	繪圖: drwn by: DanielShyr	圖號: DRAW NO.	核准: aprvid by: SkyShyr
	料號: PART NO	YE-2043	1 1		比例: scale: 1 : 1					

COPYRIGHT BY YEU TSANG